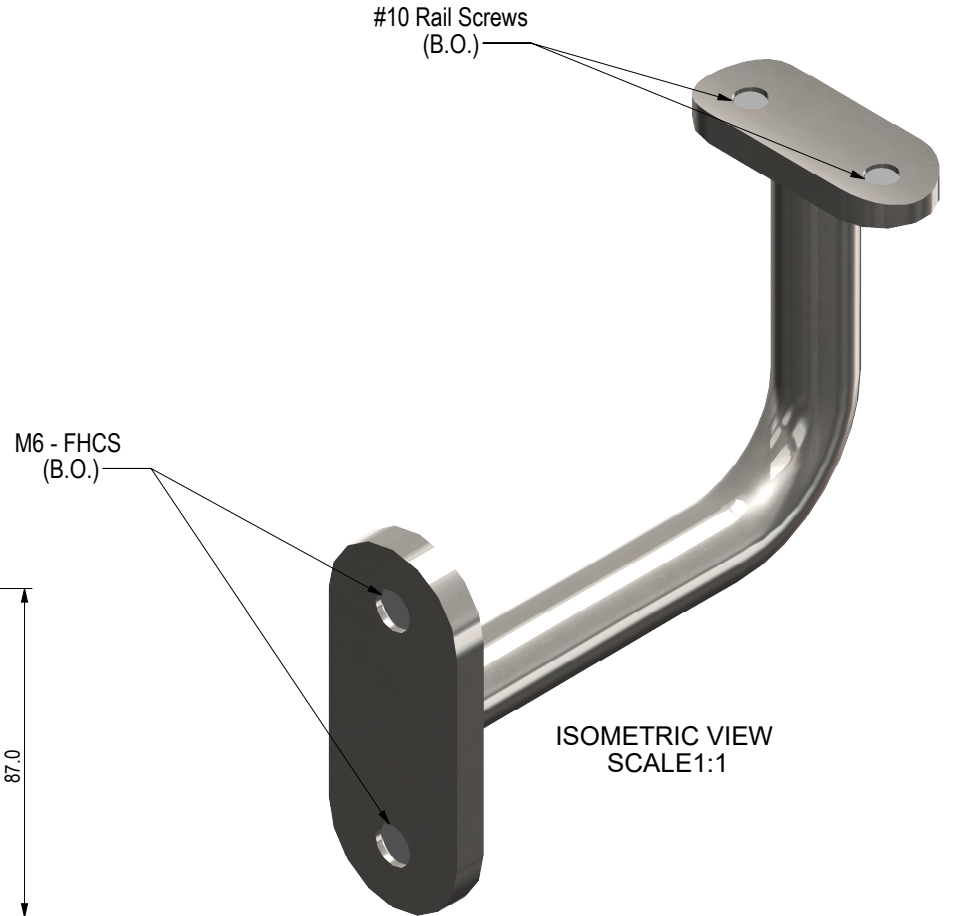
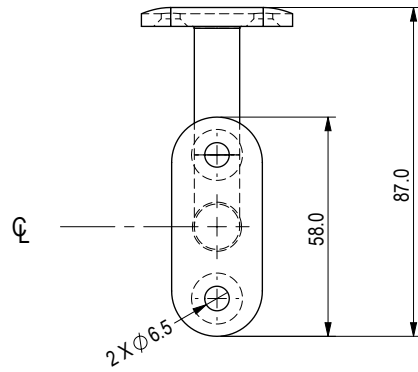
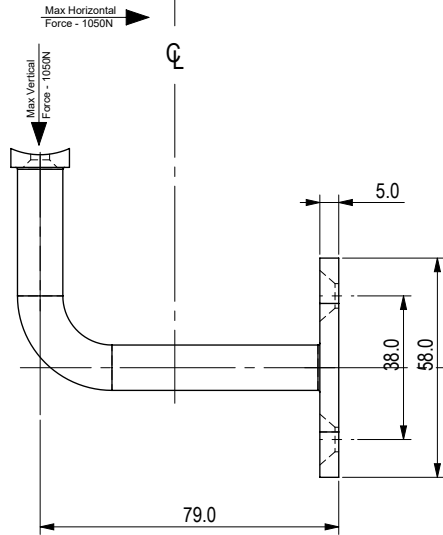
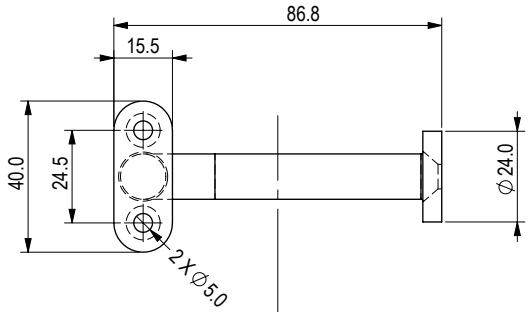


REV.	DATE	DESCRIPTION	DARWN BY	CHECKED BY
0	2021-10-26	INITIAL RELEASE - eCOMMERCE	VK	KW

This Handrail Fitting meets the requirements of the National Building Code of Canada 2015, Div B, Section 3.4.6.5. Allowable loads are for distance between fittings of up to 1.5m.

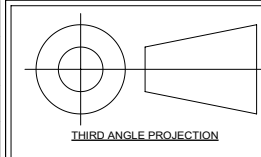
ITEM	PART	DESCRIPTION	MATERIAL	FINISH	QTY.
1	BA03-P03.1	BASLUSTRADE HANDRAIL FITTING - CURVED HEAD	DUPLEX 2205 SS	SATIN	1



NOTES:

- All dimensions are in millimeters unless otherwise specified.
- Loctite Type 243 all threads during site installation (B.O.) (To increase curing speed, please apply activator 7649)

General Tolerances (ISO 8062-CT6). (mm) Unless Specified Otherwise									
NOM. DIMENSION	0 TO 10	10 TO 16	16 TO 25	25 TO 40	40 TO 63	63 TO 100	100 TO 160	160 TO 250	250 TO 400
TOLERANCE	±0.26	±0.27	±0.29	±0.32	±0.35	±0.39	±0.44	±0.50	±0.55
ANGLE TOLERANCE: ±0.5°									



ASSEMBLY DRAWING - HANDRAIL FITTING - BA503S05S
STELLA GLASS HARDWARE - eCOMMERCE

SCALE
1:2
SKETCH NO.
BA503S05S



UNIT 105-8218 NORTH FRASER WAY, BURNABY, BC, V3N 0E9
 TEL (604) 231 5892
WWW.STELLAGLASSHARDWARE.COM