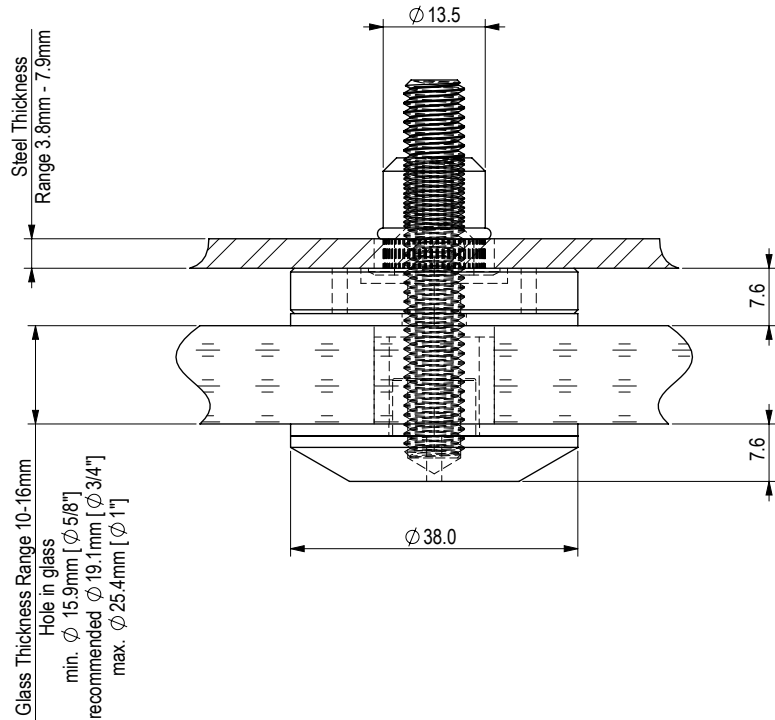


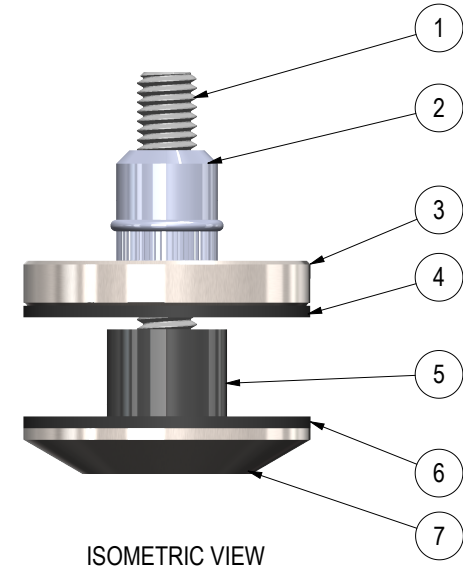
REV.	DATE	DESCRIPTION	DRAWN BY	CHECKED BY
0	2021-10-14	INITIAL RELEASE - eCommerce	VK	KW

ITEM	PART	DESCRIPTION	MATERIAL	FINISH	QTY.
1	ST-M8	M8 STUD (LENGTH VARIES)	A2-70	EX WORKS	1
2	NU M8-8.9	NUTSERT M8-8.9	STEEL 1010/1008	EX WORKS	1
3	NB9-P32	1 1/2" Dia BLACK PLATE for M8	Gd 316 SS	MACHINED	1
4	BA02-P14	GASKET, 39mm OD x 12 mm ID x 1/16" THK	CG608-FIBER-GREY	EX WORKS	1
5	BA02-P05b	FERRULE 15.9 OD, 11.9 ID x 11.5 LG	NYLON BLACK	MACHINED	1
6	BA02-P13	GASKET, 39 mm OD x 19 mm ID x 1/16" THK	CG608-FIBER-GREY	EX WORKS	1
7	BA02-P12	TAPERED FRONT PLATE for BA02 HANDRAIL FITTING	Gd 316 SS	MACHINED	1



Max Allowable Load - 2kN

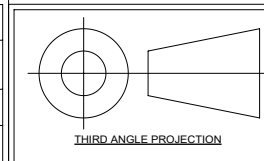
Max Allowable Load - 1.5kN



ISOMETRIC VIEW

- NOTES:**
- All dimensions are in millimeters unless otherwise specified.
 - Loctite Type 243 all threads during site installation (B.O.)
(To increase curing speed, please apply activator 7649)

General Tolerances (ISO 8062-CT6), (mm) Unless Specified Otherwise									
NOM. DIMENSION	0 TO 10	10 TO 16	16 TO 25	25 TO 40	40 TO 63	63 TO 100	100 TO 160	160 TO 250	250 TO 400
TOLERANCE	±0.26	±0.27	±0.29	±0.32	±0.35	±0.39	±0.44	±0.50	±0.55
ANGLE TOLERANCE: ±0.5°									



ASSEMBLY DRAWING - STANDOFF - ST382T6N
STELLA GLASS HARDWARE - eCommerce

SCALE	1:1
SKETCH NO.	
	ST382T6N



UNIT 105-8218 NORTH FRASER WAY, BURNABY, BC, V3N 0E9
 TEL (604) 231 5892
WWW.STELLAGLASSHARDWARE.COM