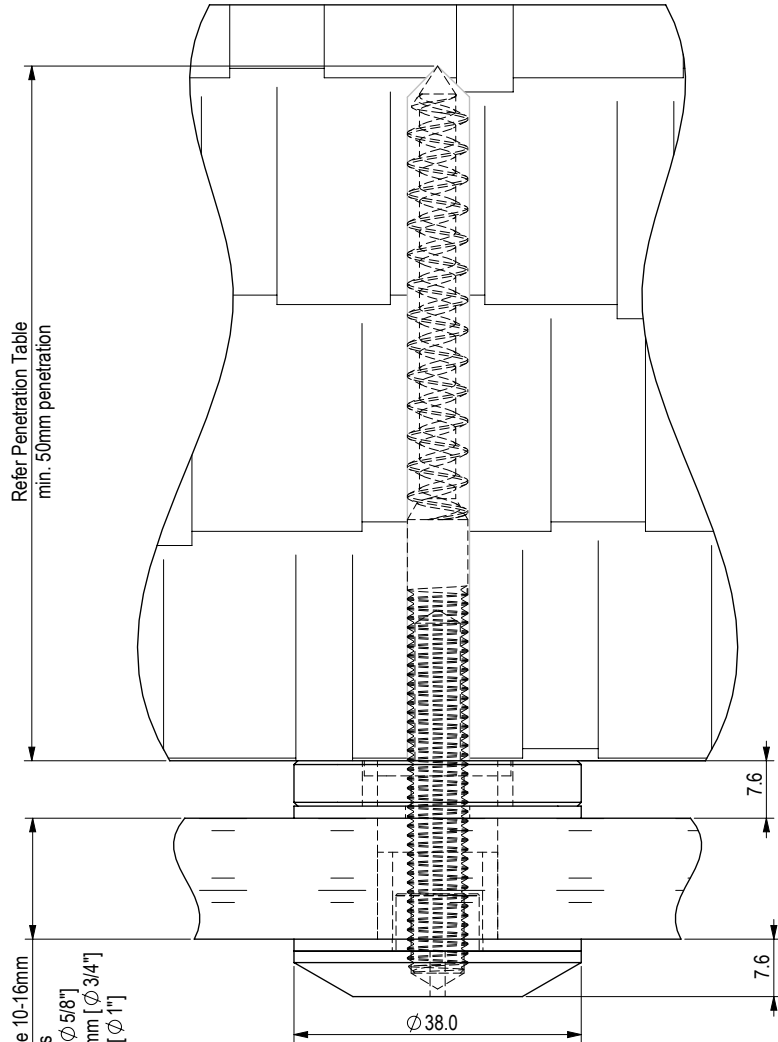


REV.	DATE	DESCRIPTION	DARWN BY	CHECKED BY
0	2021-10-19	INITIAL RELEASE - eCOMMERCE	VK	KW

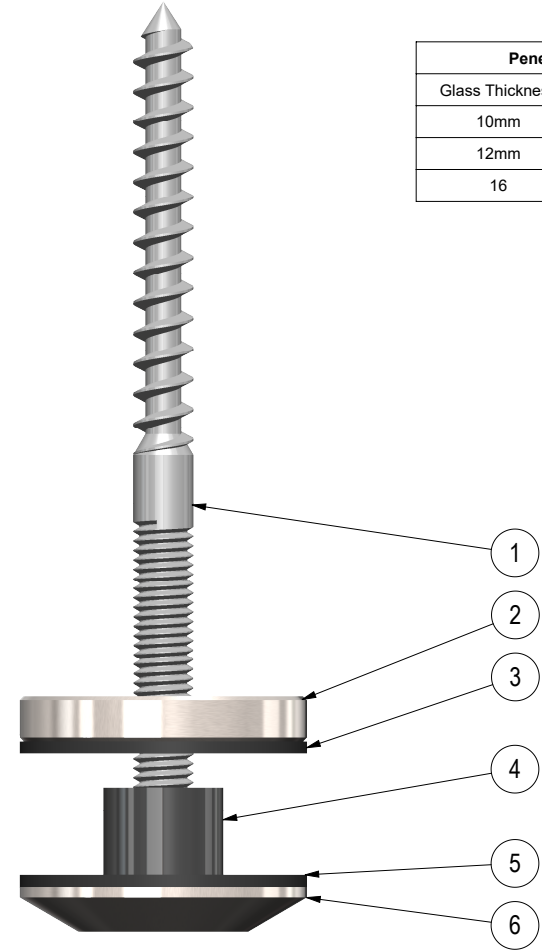
ITEM	PART	DESCRIPTION	MATERIAL	FINISH	QTY.
1	DS M8	M8x120 HANGER BOLT. (Dowel Screw)	A2-70	EX WORKS	1
2	NB9-P32	1 1/2" Dia BACK PLATE for M8	Gd 316 SS	MACHINED	1
3	BA02-P14	GASKET, 39mm OD x 12 mm ID x 1/16" THK	CG608-FIBER-GREY	EX WORKS	1
4	BA02-P05b	FERRULE 15.9 OD, 11.9 ID x 11.5 LG	NYLON BLACK	MACHINED	1
5	BA02-P13	GASKET, 39 mm OD x 19 mm ID x 1/16" THK	CG608-FIBER-GREY	EX WORKS	1
6	BA02-P12	TAPERED FRONT PLATE for BA02 HANDRAIL FITTING	Gd 316 SS	MACHINED	1



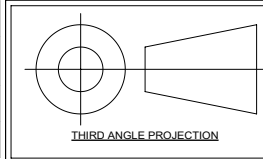
Penetration Table	
Glass Thickness	Penetration
10mm	124mm
12mm	117mm
16	114mm

Max Allowable Load - 2kN

Max Allowable Load - 1.5kN



General Tolerances (ISO 8062-CT6). (mm) Unless Specified Otherwise									
NOM. DIMENSION	0 TO 10	10 TO 16	16 TO 25	25 TO 40	40 TO 63	63 TO 100	100 TO 160	160 TO 250	250 TO 400
TOLERANCE	± 0.26	± 0.27	± 0.29	± 0.32	± 0.35	± 0.39	± 0.44	± 0.50	± 0.55
ANGLE TOLERANCE: $\pm 0.5^\circ$									



- NOTES:**
- All dimensions are in millimeters unless otherwise specified.
 - Loctite Type 243 all threads during site installation (B.O.)
(To increase curing speed, please apply activator 7649)

ASSEMBLY DRAWING - STANDOFF - ST382T6W
STELLA GLASS HARDWARE - eCOMMERCE

SCALE
1:1
SKETCH NO.
ST382T6W

UNIT 105-8218 NORTH FRASER WAY, BURNABY, BC, V3N 0E9
 TEL (604) 231 5892
WWW.STELLAGLASSHARDWARE.COM