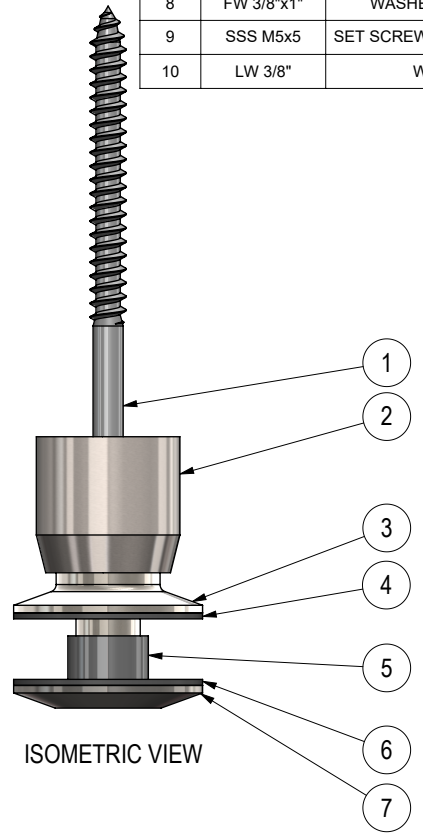
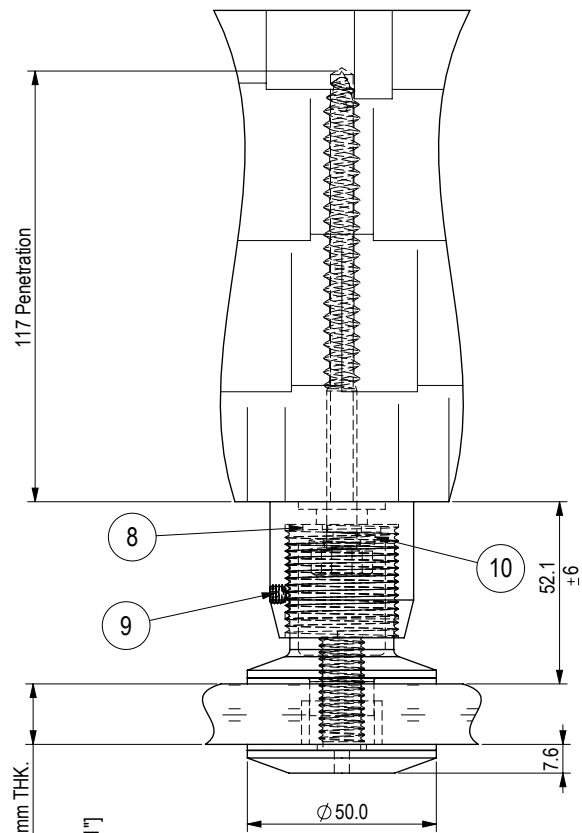


REV.	DATE	DESCRIPTION	DARWN BY	CHECKED BY
0	2021-10-21	INITIAL RELEASE - eCOMMERCE	VK	KW

ITEM	PART	DESCRIPTION	MATERIAL	FINISH	QTY.
1	LB 3/8"x5"	LAG BOLT, 3/8 UNC x 5"	A2-70	EX WORKS	1
2	ST503-P04	ADJUSTABLE STANDOFF MOUNTING BASE	Gd 316 SS	MACHINED	1
3	ST503-P03	ADJUSTABLE STANDOFF TAPERED BACK PLATE	Gd 316 SS	MACHINED	1
4	NB4-P14	GASKET, 1 15/16" OD x 1 1/16" ID x 1/16" THK	CG608-FIBER-GREY	EX WORKS	1
5	NB4-P05b	FERRULE 11.5mm STANDARD	NYLON-BLACK	MACHINED	1
6	AB4-P13	GASKET, 1 15/16" OD x 1/2" ID x 1/16" THK	CG608-FIBER-GREY	EX WORKS	1
7	ST503-P01	ADJUSTABLE STANDOFF TAPERED FRONT CAP	Gd 316 SS	MACHINED	1
8	FW 3/8"x1"	WASHER, FLAT, 3/8" x 1.000 OD	A2-70	EX WORKS	1
9	SSS M5x5	SET SCREW, HEX SOCKET, M5 x 5mm Lg	A2-70	EX WORKS	1
10	LW 3/8"	WASHER, IOCK, 3/8"	A2-70	EX WORKS	1

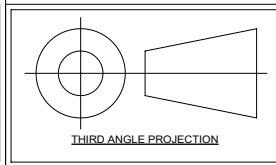
Standard Penetration Table	
Glass Thickness	Penetration
12mm	124mm
19mm	117mm
21.5mm (10/1.52/10)	114mm



Glass Thickness Range 12-21.5mm THK.
 Hole in glass
 min. $\varnothing 22.2 [\varnothing 7/8"]$
 recommend $\varnothing 25.4 [\varnothing 1"]$
 max. $\varnothing 28.6 [\varnothing 1 1/8"]$

Max Allowable Load - 4kN
 Max Allowable Load - 4kN

General Tolerances (ISO 8062-CT6), (mm) Unless Specified Otherwise									
NOM. DIMENSION	0 TO 10	10 TO 16	16 TO 25	25 TO 40	40 TO 63	63 TO 100	100 TO 160	160 TO 250	250 TO 400
TOLERANCE	±0.26	±0.27	±0.29	±0.32	±0.35	±0.39	±0.44	±0.50	±0.55
ANGLE TOLERANCE: ±0.5°									



NOTES:
 1. All dimensions are in millimeters unless otherwise specified.
 2. Loctite Type 243 all threads during site installation (B.O.)
 (To increase curing speed, please apply activator 7649)

ASSEMBLY DRAWING - STANDOFF - ST382T6W
 STELLA GLASS HARDWARE - eCOMMERCE

SCALE	1:2
SKETCH NO.	
	ST503T06W



UNIT 105-8218 NORTH FRASER WAY, BURNABY, BC, V3N 0E9
 TEL (604) 231 5892
 WWW.STELLAGLASSHARDWARE.COM