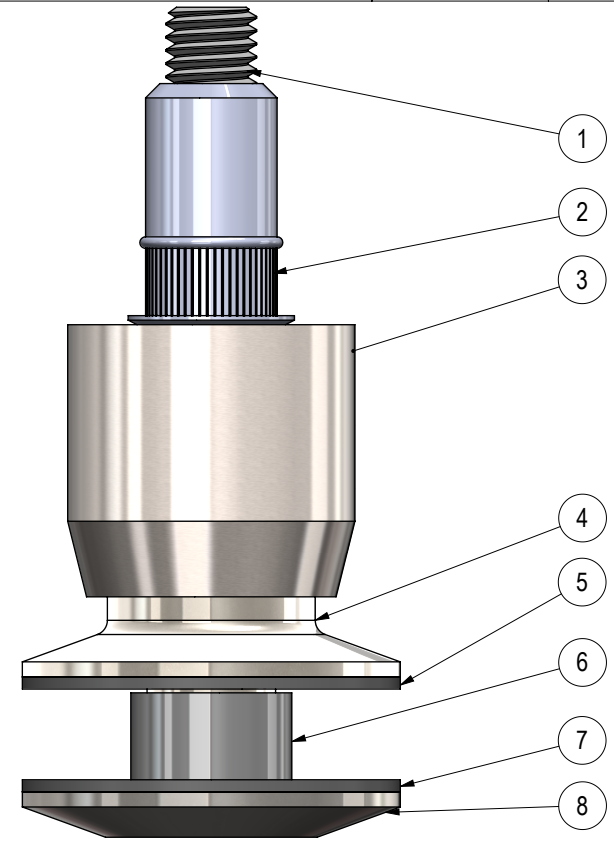
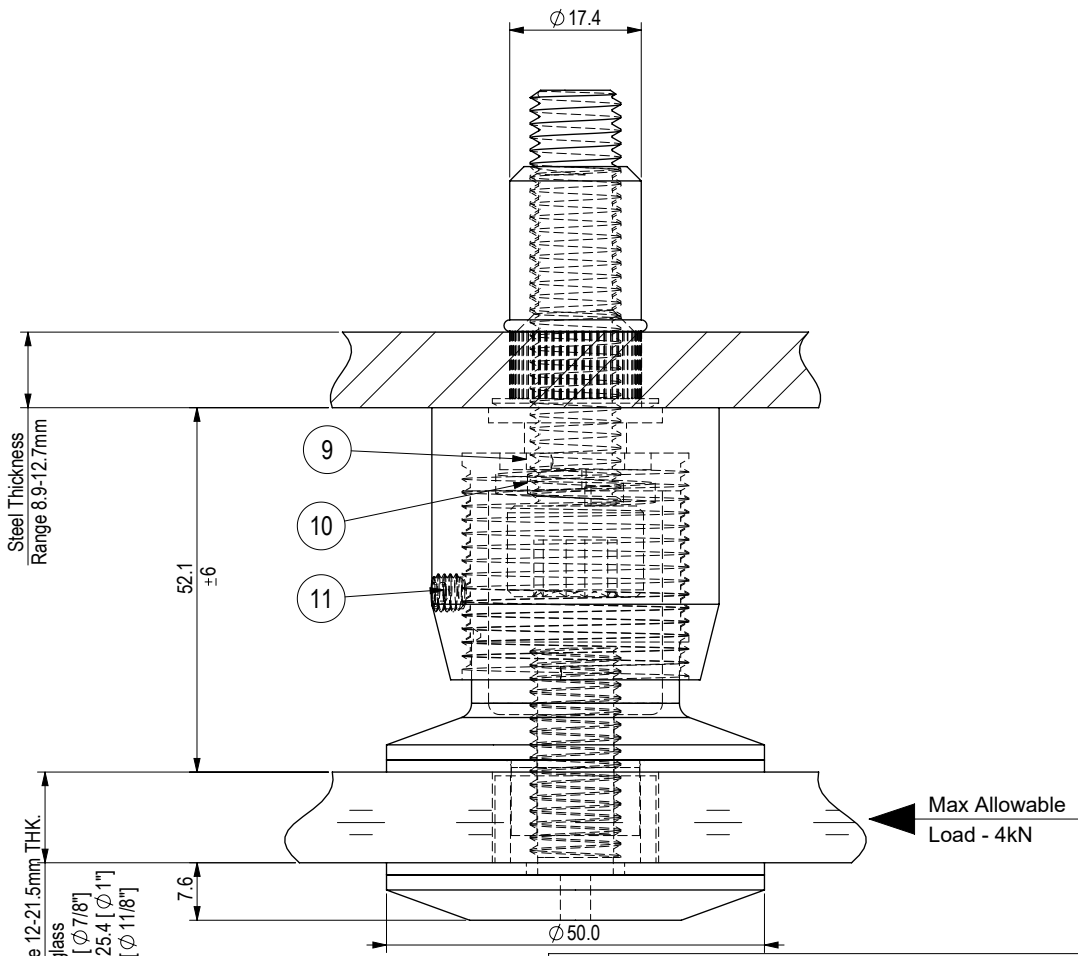
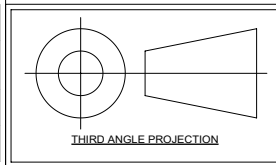


REV.	DATE	DESCRIPTION	DARWN BY	CHECKED BY
0	20121-10-21	INITIAL RELEASE - eCOMMERCE	VK	KW

ITEM	PART	DESCRIPTION	MATERIAL	FINISH	QTY.
1	SHCS M12x55	SOCKET HEAD CAP SCREW, M12 x 55, FULL THREAD	A2-70	EX WORKS	1
2	NU M12-12.7	NUTSERT M12-12.7	STEEL 1010/1008	EX WORKS	1
3	ST503-P04	ADJUSTABLE STANDOFF MOUNTING BASE	Gd 316 SS	MACHINED	1
4	ST503-P03	ADJUSTABLE STANDOFF TAPERED BACK CAP	Gd 316 SS	MACHINED	1
5	NB4-P14	GASKET, 1 15/16" OD x 11/16" ID x 1/16" THK	CG608-FIBER-GREY	EX WORKS	1
6	NB4-P05b	FERRULE 11.5mm STANDARD	NYLON BLACK	MACHINED	1
7	NB4-P13	GASKET, 1 15/16" OD x 1/2" ID x 1/16" THK	CG608-FIBER-GERY	EX WORKS	1
8	ST503-P01	ADJUSTABLE STANDOFF TAPERED FRONT CAP	Gd 316 SS	MACHINED	1
9	FW M12	WASHER, FLAT, M12 x 24 OD	A2-70	EX WORKS	1
10	W M12	WASHER, LOCK, M12	A2-70	EX WORKS	1
11	SSS M5x5	SET SCREW, HEX SOCKET, M5 x 5mm Lg	A2-70	EX WORKS	1



General Tolerances (ISO 8062-CT6), (mm) Unless Specified Otherwise									
NOM. DIMENSION	0 TO 10	10 TO 16	16 TO 25	25 TO 40	40 TO 63	63 TO 100	100 TO 160	160 TO 250	250 TO 400
TOLERANCE	±0.26	±0.27	±0.29	±0.32	±0.35	±0.39	±0.44	±0.50	±0.55
ANGLE TOLERANCE: ±0.5°									



NOTES:
 1. All dimensions are in millimeters unless otherwise specified.
 2. Loctite Type 243 all threads during site installation (B.O.)
 (To increase curing speed, please apply activator 7649)

ASSEMBLY DRAWING - STANDOFF - ST503TM6N
STELL GLASS HARDWARE - eCOMMERCE

SCALE	1:1
SKETCH NO.	
	ST503T6N



UNIT 105-8218 NORTH FRASER WAY, BURNABY, BC, V3N 0E9
 TEL (604) 231 5892
 WWW.STELLAGLASSHARDWARE.COM