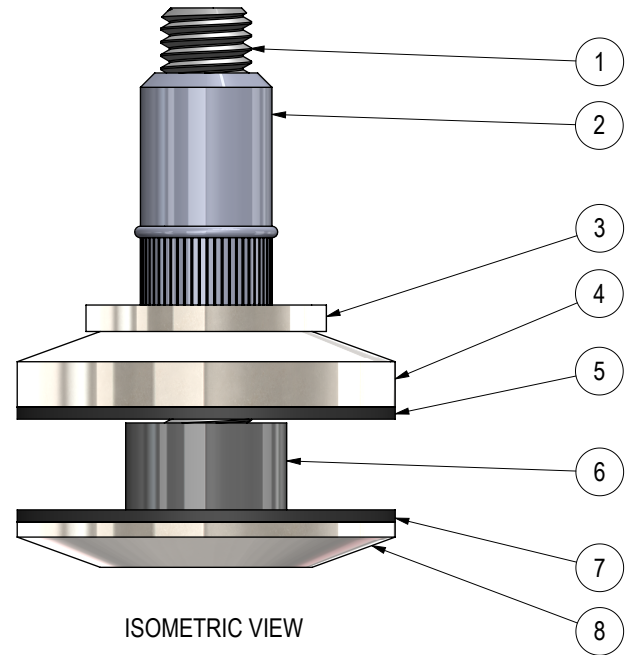
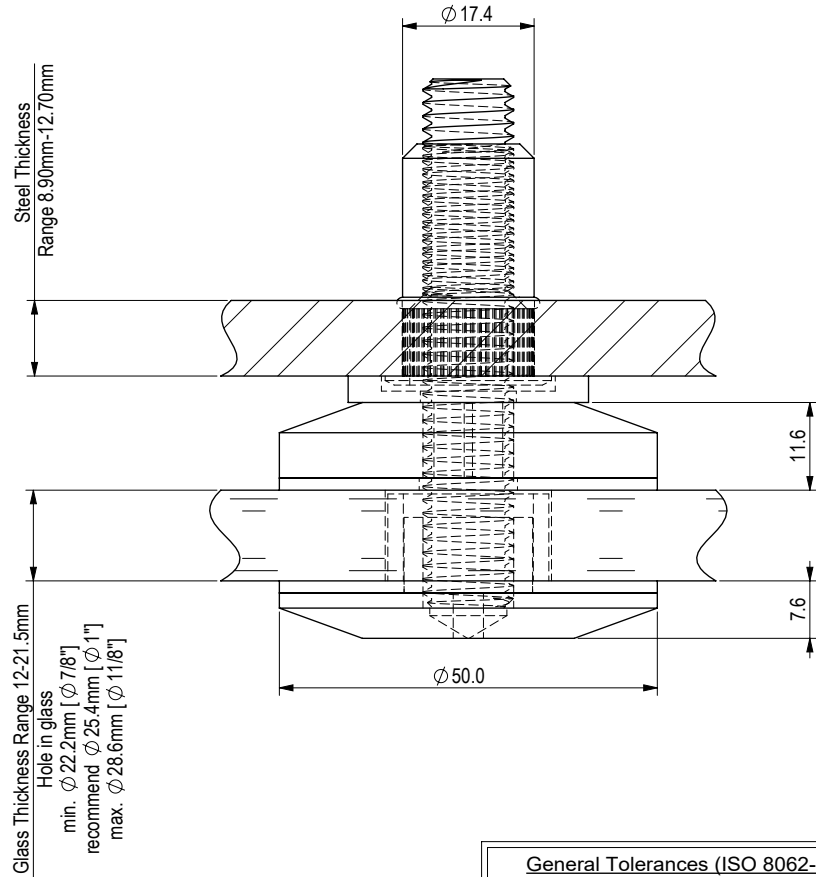


REV.	DATE	DESCRIPTION	DARWN BY	CHECKED BY
0	2021-10-22	INITIAL RELEASE - eCOMMERCE	VK	KM

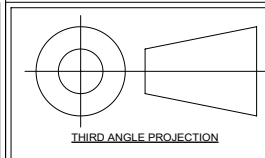
ITEM	PART	DESCRIPTION	MATERIAL	FINISH	QTY.
1	St M12	STUD, M12 (LENGTH VARIES)	A2-70	EX WORKS	1
2	NU M12-12.7	NUTSERT M12-12.7	STEEL 1010/1008	EX WORKS	1
3	NB4-P40	SPACER FOR NUTSERT	Gd 316 SS	FINE MACHINED	1
4	NB4-P02	BACK PLATE	Gd 316 SS	FINE MACHINED	1
5	NB4-P13	GASKET, 1 15/16" OD x 1/2" ID x 1/16" THK	CG608-FIBER-GREY	EX WORKS	1
6	NB4-P05b	FERRULE 11.5mm STANDARD	NYLON BLACK	MACHINED	1
7	NB4-P14	GASKET, 1 15/16" OD x 11/16" ID x 1/16" THK	CG608-FIBER-GREY	EX WORKS	1
8	NB4-P01	FRONT PLATE	Gd 316 SS	FINE MACHINED	1



NOTES:

1. All dimensions are in millimeters unless otherwise specified.
2. Loctite Type 243 all threads during site installation (B.O.)
(To increase curing speed, please apply activator 7649)

General Tolerances (ISO 8062-CT6). (mm) Unless Specified Otherwise									
NOM. DIMENSION	0 TO 10	10 TO 16	16 TO 25	25 TO 40	40 TO 63	63 TO 100	100 TO 160	160 TO 250	250 TO 400
TOLERANCE	± 0.26	± 0.27	± 0.29	± 0.32	± 0.35	± 0.39	± 0.44	± 0.50	± 0.55
ANGLE TOLERANCE: $\pm 0.5^\circ$									



SCALE
1:1
SKETCH NO.
ST504T6N

ASSEMBLY DRAWING - STANDOFF - ST504T6N
STELLA GLASS HARDWARE - eCOMMERCE



UNIT 105-8218 NORTH FRASER WAY, BURNABY, BC, V3N 0E9
TEL (604) 231 5892
WWW.STELLAGLASSHARDWARE.COM