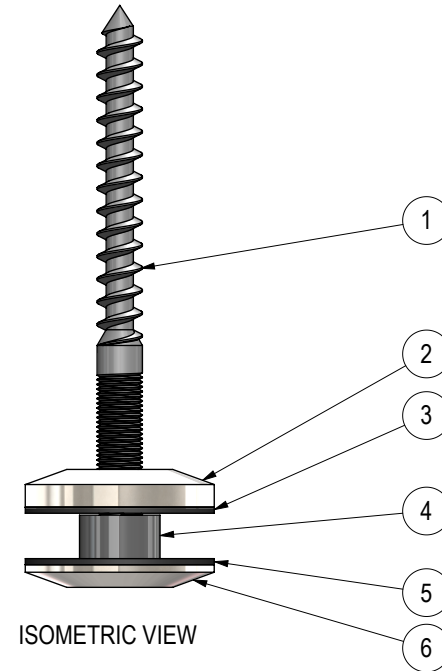
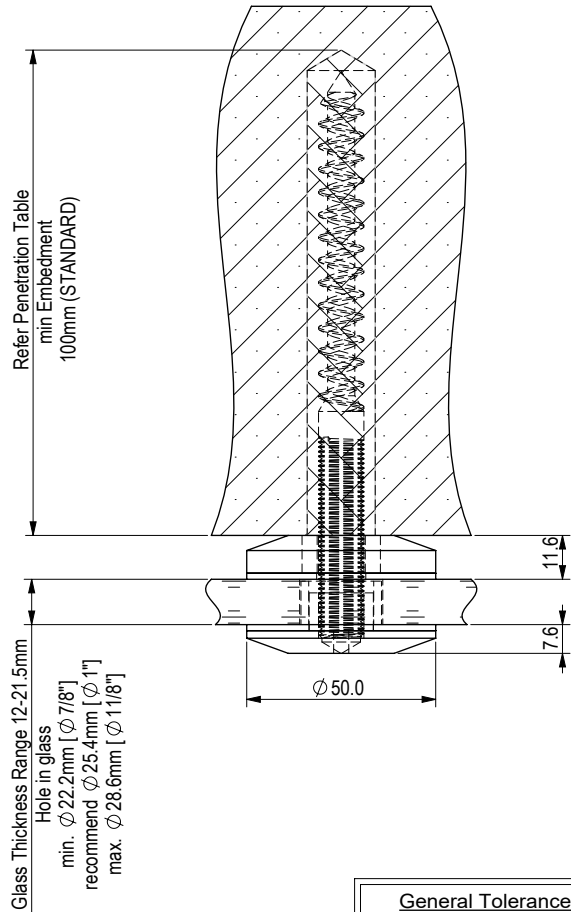


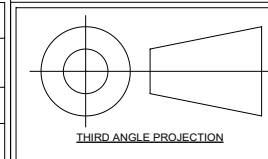
REV.	DATE	DESCRIPTION	DARWN BY	CHECKED BY
0	2021-10-22	INITIAL RELEASE - eCOMMERCE	VK	KM

ITEM	PART	DESCRIPTION	MATERIAL	FINISH	QTY.
1	NB4-P09.1	HANGER BOLT M12x150mm	A2-70	EX WORKS	1
2	NB4-P02	BACK PLATE	Gd 316 SS	FINE MACHINED	1
3	NB4-P13	GASKET, 1 15/16" OD x 1/2" ID x 1/16" THK	CG608-FIBER-GREY	EX WORKS	1
4	NB4-P05b	FERRULE 11.5mm STANDARD	NYLON BLACK	MACHINED	1
5	NB4-P14	GASKET, 1 15/16" OD x 11/16" ID x 1/16" THK	CG608-FIBER-GREY	EX WORKS	1
6	NB4-P01	FRONT PLATE	Gd 316 SS	FINE MACHINED	1



Standard Penetration Table	
Glass Thickness	Penetration
12mm	124mm
19mm	117mm
21.5mm (10/1.52/10)	114mm

General Tolerances (ISO 8062-CT6). (mm) Unless Specified Otherwise									
NOM. DIMENSION	0 TO 10	10 TO 16	16 TO 25	25 TO 40	40 TO 63	63 TO 100	100 TO 160	160 TO 250	250 TO 400
TOLERANCE	$\pm 0.26$	$\pm 0.27$	$\pm 0.29$	$\pm 0.32$	$\pm 0.35$	$\pm 0.39$	$\pm 0.44$	$\pm 0.50$	$\pm 0.55$
ANGLE TOLERANCE: $\pm 0.5^\circ$									



**NOTES:**

- All dimensions are in millimeters unless otherwise specified.
- Loctite Type 243 all threads during site installation (B.O.)  
(To increase curing speed, please apply activator 7649)

**ASSEMBLY DRAWING - STANDOFF - ST504T6W**  
STELLA GLASS HARDWARE - eCOMMERCE

SCALE
1:2
SKETCH NO.
ST504T6W



UNIT 105-8218 NORTH FRASER WAY, BURNABY, BC, V3N 0E9  
TEL (604) 231 5892  
[WWW.STELLAGLASSHARDWARE.COM](http://WWW.STELLAGLASSHARDWARE.COM)