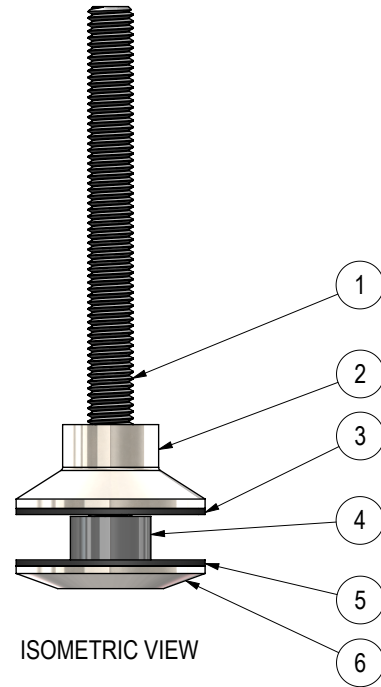
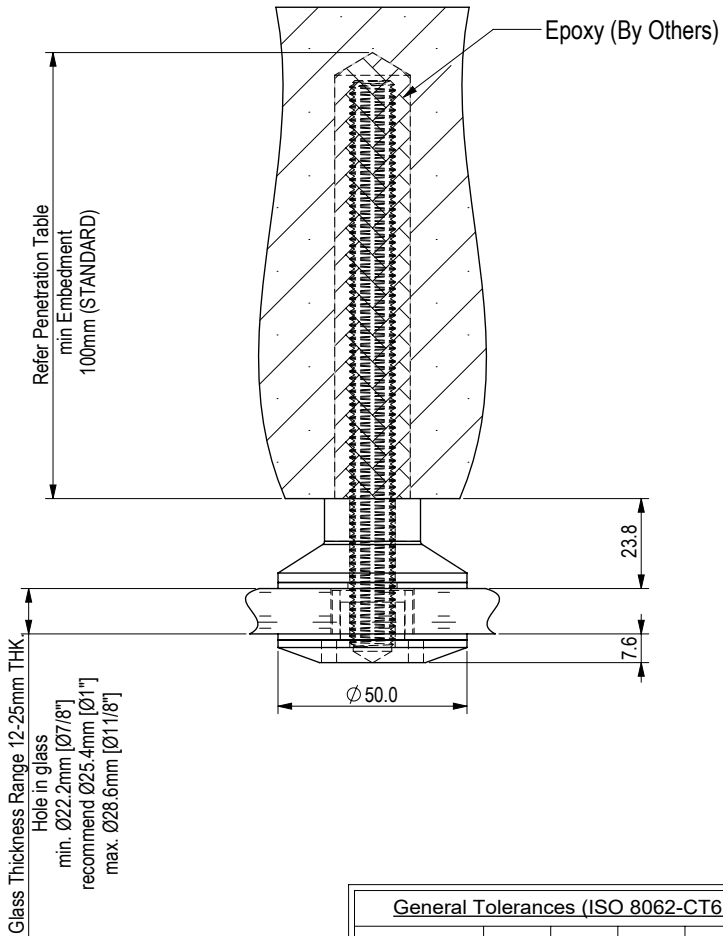


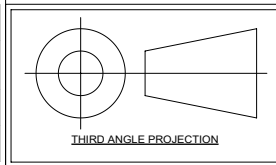
REV.	DATE	DESCRIPTION	DARWN BY	CHECKED BY
0	2021-10-25	INITIAL RELEASE - eCOMMERCE	VK	KW

ITEM	PART	DESCRIPTION	MATERIAL	FINISH	QTY.
1	St M12	STUD, M12 (LENGTH VARIES)	A2-70	EX WORKS	1
2	NB4-P12	TAPERED - BACK PLATE	Gd 316 SS	FINE MACHINED	1
3	NB4-P13	GASKET, 1 15/16" OD x 1/2" ID x 1/16" THK	CG608-FIBER-GREY	EX WORKS	1
4	NB4-P05b	FERRULE 11.5mm STANDARD	NYLON BLACK	MACHINED	1
5	NB4-P14	GASKET, 1 15/16" OD x 11/16" ID x 1/16" THK	CG608-FIBER-GREY	EX WORKS	1
6	NB4-P01	FRONT PLATE	Gd 316 SS	FINE MACHINED	1

Standard Penetration Table	
Glass Thickness	Penetration
12mm	124mm
19mm	117mm
21.5mm (10/1.52/10)	114mm



General Tolerances (ISO 8062-CT6). (mm) Unless Specified Otherwise									
NOM. DIMENSION	0 TO 10	10 TO 16	16 TO 25	25 TO 40	40 TO 63	63 TO 100	100 TO 160	160 TO 250	250 TO 400
TOLERANCE	±0.26	±0.27	±0.29	±0.32	±0.35	±0.39	±0.44	±0.50	±0.55
ANGLE TOLERANCE: ±0.5°									



NOTES:

1. All dimensions are in millimeters unless otherwise specified.
2. Loctite Type 243 all threads during site installation (B.O.)
(To increase curing speed, please apply activator 7649)

ASSEMBLY DRAWING - STANDOFF - ST505T6C
STELLA GLASS HARDWARE - eCOMMERCE

SCALE
1:2
SKETCH NO.
ST505T6C



UNIT 105-8218 NORTH FRASER WAY, BURNABY, BC, V3N 0E9
 TEL (604) 231 5892
WWW.STELLAGLASSHARDWARE.COM