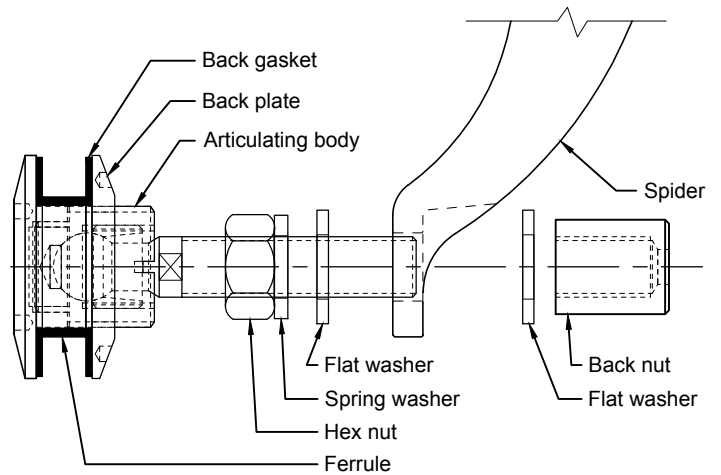


INSTALLING THE BOLT TO SPIDER

Step 1 Unscrew back nut from bolt, leave one flat washer on the stud/bolt.

Step 2 Place stud/bolt in spider.

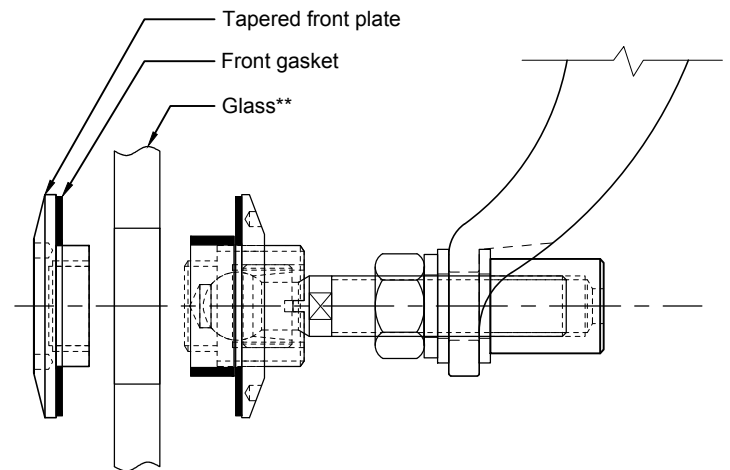
Step 3 Place washers that you removed in Step One back on bolt in this order: flat washer, machined back nut.



Step 4 Tighten the bolt connection around spider. Please note that hex nut and back nut can be adjusted to move bolt in and out - depending on plane that you wish bolt to sit on.

Step 5 Remove front plate of glass bolt and black front gasket.

Step 6 If you have templated glass, place it now OR template glass at this point.

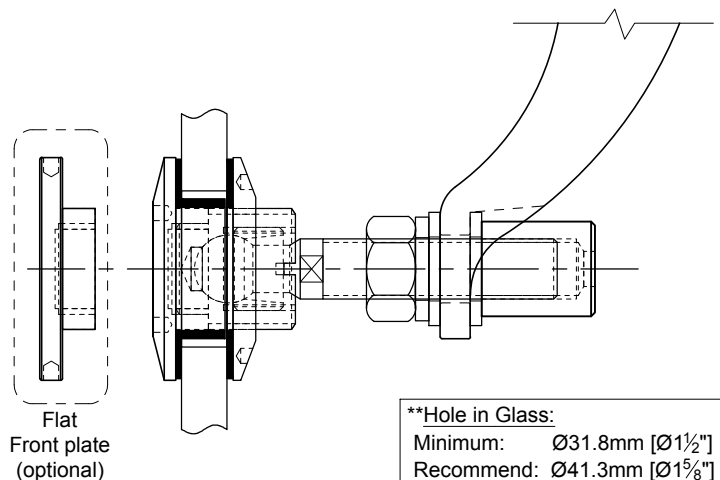


Step 7 Place black front gasket and front cap back on glass bolt and tighten with Stella-supplied 4mm pin spanner. Ensure no contact of glass to metal.

NOTE: Should you still need in and out adjustment - it's not too late!

To move glass outward, loosen the back nut and tighten the hex nut.

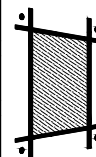
To move glass inward, loosen the hex nut and tighten the back nut.



Disclaimer:
These instructions provide guidance for installation only. They do not constitute suitability for application, which should be provided by a registered Engineer.

Hole in glass: See above
Dimensions millimeter unless otherwise shown.
Apply loctite 243 to all threads during assembly (To increase curing speed, please apply activator 7649)

Drawn	Drawn date
MT	FEB 06-2020
Checked	Checked date
JS	FEB 06-2020
Scale	Rev.
1:2	-
DWG No	
AB602T-IM	



stella

[t] (604) 231 5892
[f] (604) 231 5893
[e] info@stellaglasshardware.com

INSTALLATION INSTRUCTION
ARTICULATING BOLT WITH SPIDER
AB602T (FLAT OR TAPERED)