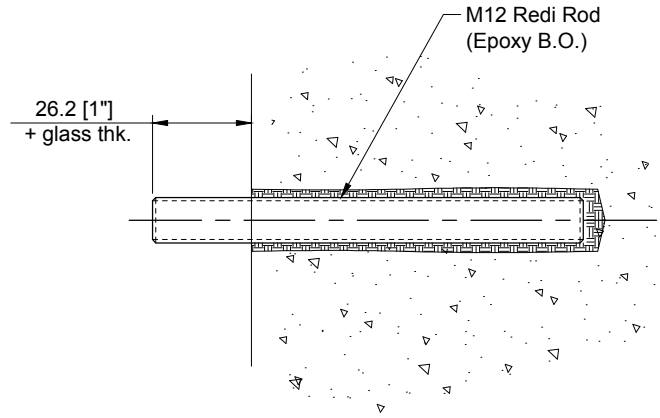


INSTALLING THE REDI ROD

Pre-drill hole into concrete structure (drill bit and hole length to be determined by Engineer).

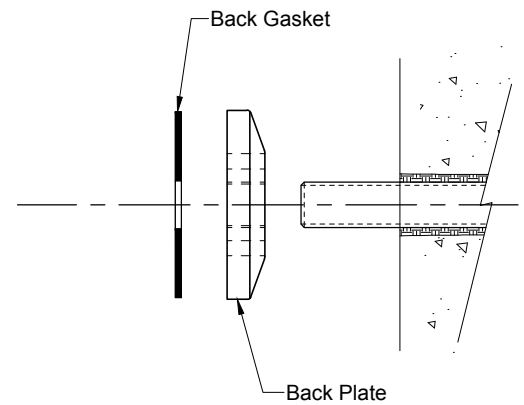
Embed M12 redi rod into concrete structure to the correct embedment depth (Typical 4" embed).



INSTALLING THE BACK PLATE

Twist back plate on to the redi rod until snug against the concrete. Slide gasket on to the redi rod.

*As the redi rod is cemented into the concrete, this assembly does not allow for outward adjustment of the backplate. If the concrete is expected to be uneven, we recommend to use our adjustable Standoff ST503-C instead.

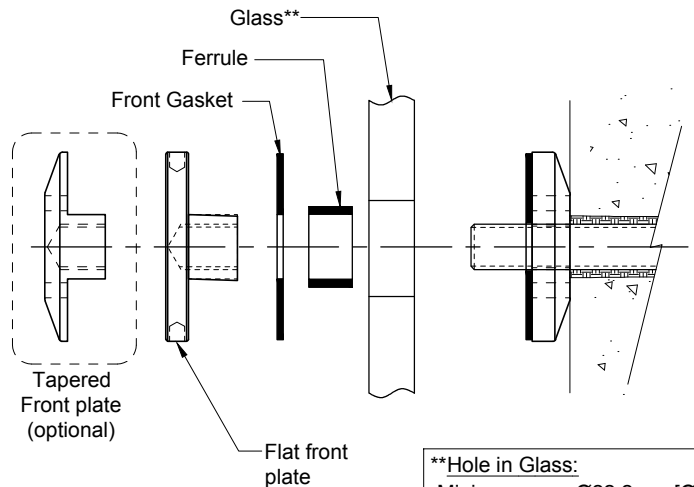


INSTALLING AND ALIGNING THE GLASS

Position glass and twist flat (or tapered) front plate with front gasket and ferrule onto the M12 redi rod.

For final tightening of the front plate, use the following spanner (can be supplied by Stella):

- Flat front plate: C-Spanner
- Tapered front plate: Pin-Spanner



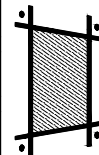
**Hole in Glass:
 Minimum: $\text{Ø}22.2\text{mm}$ [$\text{Ø}7/8\text{\"}$]
 Recommend: $\text{Ø}25.4\text{mm}$ [$\text{Ø}1\text{\"}$]
 Maximum: $\text{Ø}28.6\text{mm}$ [$\text{Ø}1\frac{1}{8}\text{\"}$]

Rev.	Date	Description	Drawn by	Checked by
1	Feb 19-2020	Revised format	MT	JS

Disclaimer:
 These instructions provide guidance for installation only. They do not constitute suitability for application, which should be provided by a registered Engineer.

Hole in glass: See above
 Dimensions millimeter unless otherwise shown.
 Apply loctite 243 to all threads during assembly (To increase curing speed, please apply activator 7649)

Drawn	Drawn date
NY	JUN 11-2014
Checked	Checked date
BL	JUN 13-2014
Scale	Rev.
1:2	1
DWG No	
ST504-C-IM	



stella

[t] (604) 231 5892
 [f] (604) 231 5893
 [e] info@stellaglasshardware.com

INSTALLATION INSTRUCTION
 STANDOFF TO MOUNT TO CONCRETE
 ST504-C (FLAT OR TAPERED)