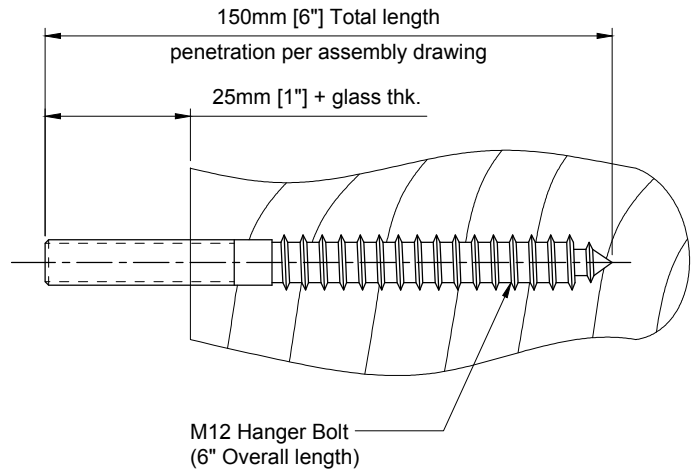


INSTALLING THE HANGER BOLT

Our standard hanger bolt, NB4-P09 is 150mm [6"] long, with 50mm [2"] M12 machine thread.

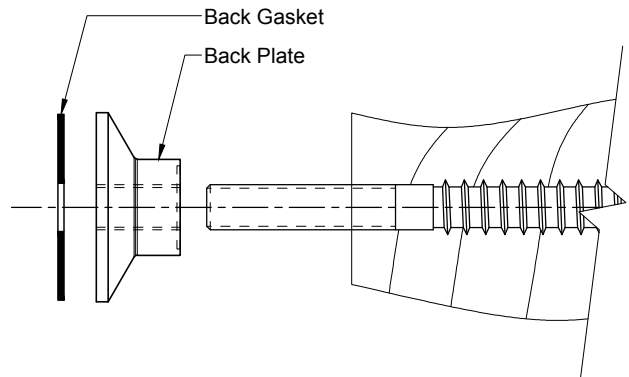
Drill hole 125mm [5"] deep, using a 9.5mm [$\frac{3}{8}$ "] drill bit.

Screw M12 hanger bolt into wood structure to the required penetration depth using an acorn nut or 2 hex nuts.



INSTALLING THE BACK PLATE

Twist in back plate to the hanger bolt until snug against the wood. Then slide gasket onto the threaded end of the hanger bolt.



INSTALLING AND ALIGNING THE GLASS

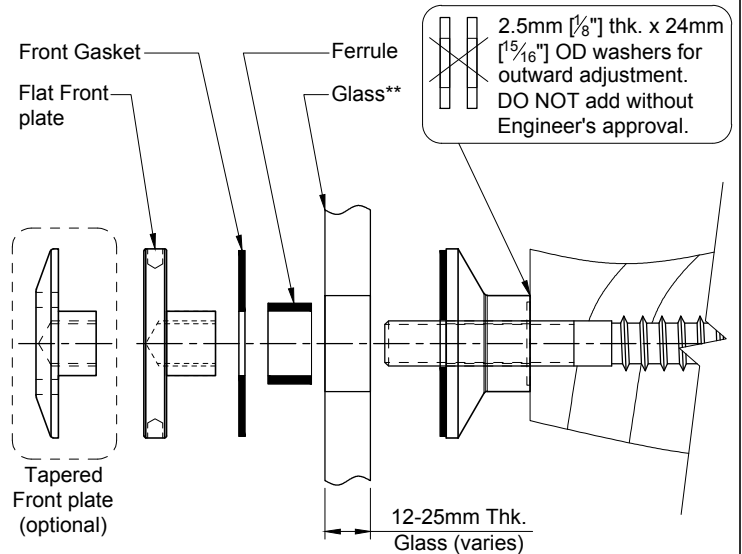
Position glass and twist flat (or tapered) front plate with front gasket and ferrule onto the machine threaded end of the hanger bolt.

For final tightening of the front plate, use the following spanner (can be supplied by Stella):

- Flat front plate: C-Spanner
- Tapered front plate: Pin-Spanner

Outward alignment of the glass can be done by adding 2.5mm [$\frac{1}{8}$ "] thk. x 24mm [$\frac{15}{16}$ "] OD washers between the back plate and substrate or, 1.6mm [$\frac{1}{16}$ "] fiber gaskets (Stella supplied) between glass and back plate. The hanger bolt should be extracted at the corresponding distance.

NOTE: As the addition of separate washers affects the structural integrity, this adjustment should not be performed without Engineer's approval.



**Hole in Glass:

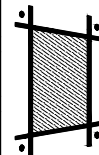
Minimum: $\varnothing 22.2\text{mm}$ [$\varnothing \frac{7}{8}$ "]
Recommend: $\varnothing 25.4\text{mm}$ [$\varnothing 1$ "]
Maximum: $\varnothing 28.6\text{mm}$ [$\varnothing 1\frac{1}{8}$ "]

Rev.	Date	Description	Drawn by	Checked by
1	Feb 6-2020	Revised format	MT	JS

Disclaimer:
These instructions provide guidance for installation only. They do not constitute suitability for application, which should be provided by a registered Engineer.

Hole in glass: See above
Dimensions millimeter unless otherwise shown.
Apply loctite 243 to all threads during assembly (To increase curing speed, please apply activator 7649)

Drawn	Drawn date
NY	JUN 11-2014
Checked	Checked date
BL	JUN 13-2014
Scale	Rev.
1:2	1
DWG No	
ST505-W-IM	



stella

[t] (604) 231 5892
[f] (604) 231 5893
[e] info@stellaglasshardware.com

INSTALLATION INSTRUCTION
STANDOFF MOUNTED TO WOOD
ST505-W (FLAT OR TAPERED FACE)